



PANDORA is an exciting solution from OE Electrics for providing power and USB charging in meeting areas. Fitting neatly into a 128mm+ grommet hole with a near flush profile when closed, PANDORA rotates open to provide 360° socket access.

Great looks, simple installation and a choice of international power sockets, our class leading 25W TUF USB charger, and data/AV* connectivity makes PANDORA perfectly suited to meeting tables, informal break out areas, and use in cafés and hotels .

PANDORA is moulded in either white (9003) or black PC/ABS for both excellent durability and appearance. As an alternative to the standard textured finish, the clean profile of PANDORA when not in use can be enhanced by optional brushed stainless steel inlays.

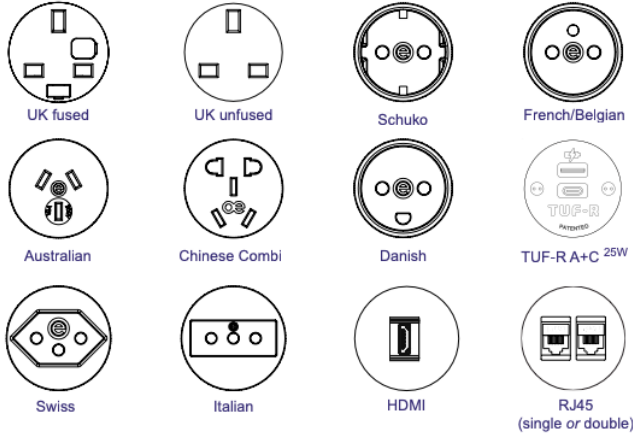
* See Fitting Instructions

*One socket aperture can include a switch or thermal MCB or 2 x cat5e data, single or twin USB or single HDMI. Hardwired flyleads are required for data & AV.



technical

Common Modular Components



*We stock a variety of other configurations, please call for availability

Certifications

- AC Power socket: Certified to the appropriate national/international standard eg: BS1363/5733, IEC60884-1, UL498, CCC, AS/NZS3112
- OE TUF 25W: Independently certified to IEC/UL 62368-1
- Wieland connectors - IEC 61535

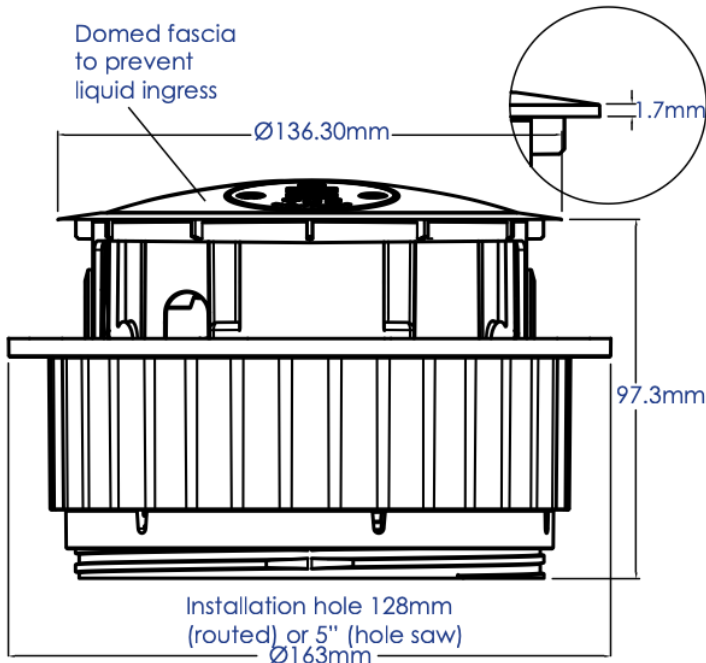
CE Marking

All units built with UK and European socket types are CE marked by OE Electrics as complying with:

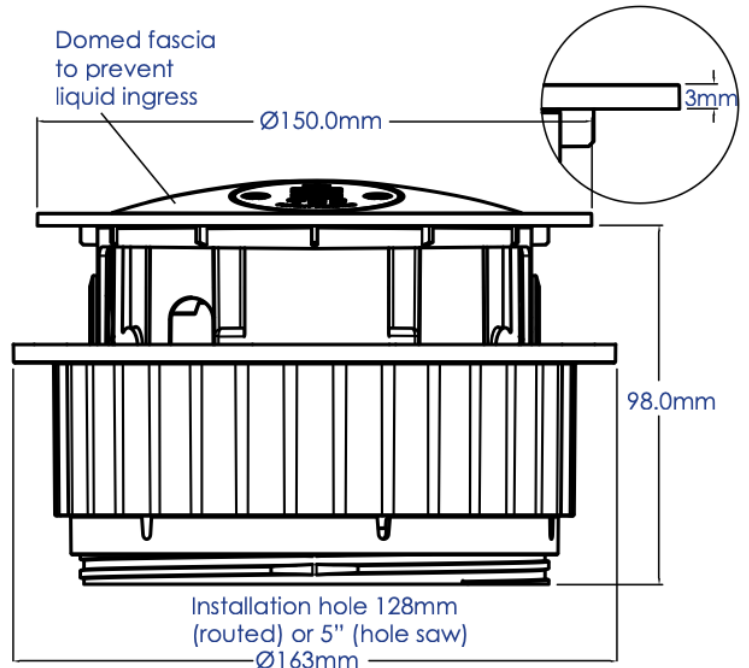
- Electromagnetic Compatibility Directive 2014/30/EU
- Low Voltage Equipment Directive 2014/35/EU
- RoHS2 Directive 2011/65/EU

Pandora Dimensions

PANDORA with "INCLINED" grommet:



PANDORA with "INLAY" grommet:



Features

Configuration

PANDORA's three socket apertures can be configured with any combination of AC power sockets from the OE Electrics 42mm international range and the class leading TUF25W USB charger. Optionally one socket aperture can comprise a switch or thermal MCB, 2 cat5e data, single or twin USB or a single HDMI. Hardwired flyleads required for data & AV.

Construction

Body and grommet - Fire retardant PC/ABS.
Securing nut - Nylon 6.

Colour

White (9003) body with grey socket fascias, and optional colour inlays, or Black body with black socket fascias, and optional brushed stainless steel inlays

Fusing (to enable compliance to BS6396)

UK fused sockets are fitted with 5 x 20mm anti-surge ceramic fuses, with colour-coded fuse clips to denote the rating (3.15A/5A).

Power-cord options:

The PANDORA power cord may be hard-wired to a Wieland GST18 male connector, the appropriate mains AC plug for the socket type fitted, or an OE J Coupler for connecting two or more PANDORA units to a single mains supply socket.

Quality and testing

All PANDORA units are manufactured using ISO9001 quality controlled components and practices and are 100% tested before dispatch.

- Visual: Configuration and appearance.
- Mechanical: correct operation of rotating mechanism.
- Power sockets: Continuity, polarity, insulation & earth
- USB charger: Output voltage and resistance