

# pixelARC



In order to meet the growing need for easily accessible mobile device charging our new PixelARC combines a mains AC socket, together with USB charging and Qi certified wireless charging in one compact unit.

PixelARC's integral TUF 25W A+C USB charger can fast charge up to two mobile devices, at the same time as wirelessly charging a Qi compatible phone on the 10W ARC wireless pad and a laptop via the AC socket. PixelARC is thus an ideal 3 in 1 power solution for providing convenient mobile device charging in breakout areas, meeting rooms, hotels and cafes and many other interior locations.

PixelARC can be specified with a wide range of international power socket options, including UK fused to aid compliance with BS6396. Installing PixelARC is quick and simple, requiring just a standard 80mm grommet aperture and a nearby below surface AC socket outlet.

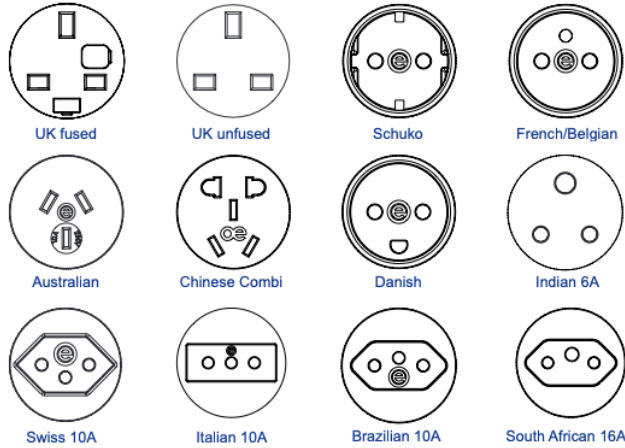


## USPs

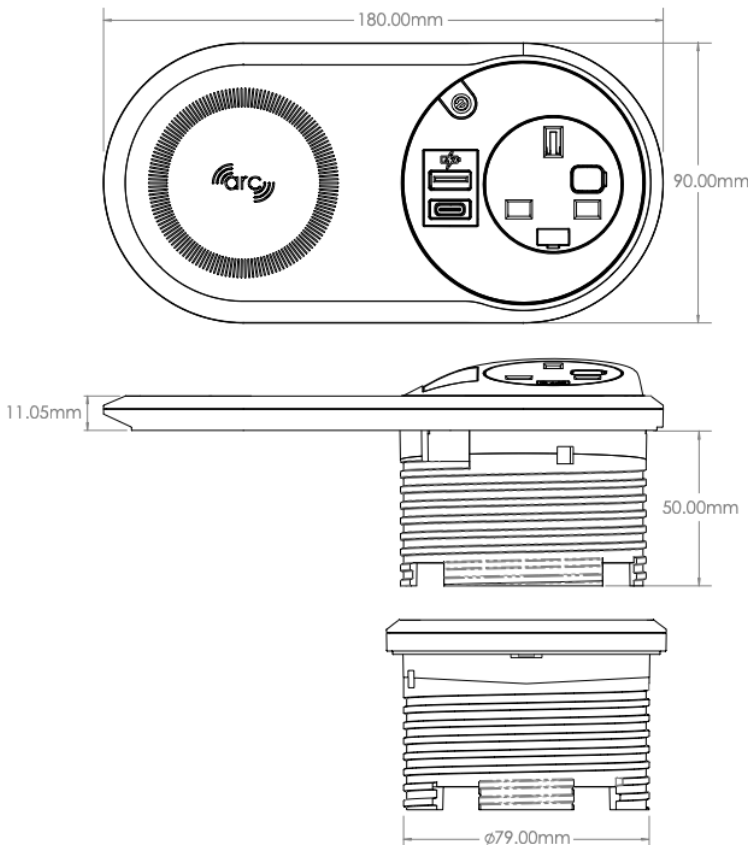
- UK designed & manufactured
- 3 power solutions in one compact unit
- International AC socket options
- 25W A+C USB charging
- 10W ARC Qi wireless charging

# technical

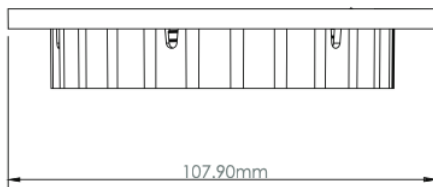
## Common Modular Components



## Unit Dimensions



## Fixing Nut



## Configuration

- 1 x OE 42mm range AC socket
- 1 x OE TUF A+C 25W USB charger or TUF HP with an under-desk PSU.
- 1 x OE ARC 10W Wireless charger module

## Construction

High strength fire retardant polycarbonate

## Colours

All black with black sockets, white with white sockets (UK only) or grey AC sockets (other types).

## Fusing

To enable compliance to BS6396 units can be ordered with UK sockets fitted with 5 x 20mm anti-surge ceramic fuses, with colour-coded fuse clips to denote the rating (3.15A/5A). PixelARC can also be ordered with unfused UK sockets.

## Power cord options:

PixelARC may be ordered either hardwired to:

- mains AC plug to match AC socket type, or
- male Wieland GST18 connector for connection to an under desk module or to a mains supply socket via an OE starter cable

## Wireless charger module power supply;

The ARC wireless charger module requires connection to an external 9V DC supply via the supplied 2 metre USB Type A cable. A plug top USB charger which requires an available below desk AC socket can be ordered as an option with PixelARC

## Installation:

PixelARC fits into a standard 80mm grommet hole and is securely held in place by the large plastic locking nut which can be tightened by hand.

## Quality & Testing

All PixelARC units are manufactured using ISO9001 quality controlled components and practices and are 100% tested before dispatch:

- Visual: Configuration and appearance.
  - Power sockets: Continuity, polarity, insulation & earth
  - USB charger: Output voltage and resistance
  - Wireless charger: Charging current in test receiver
- "We test every pin on every connection in every socket"

## CE Marking

All units built with UK and European socket types are CE marked by OE Electrics as complying with:

- Electromagnetic Compatibility Directive 2014/30/EU
- Low Voltage Equipment Directive 2014/35/EU
- ROHS3 Directive 2015/863

## Certifications

AC Power socket: Appropriate national/international standard eg: BS1363/5733, IEC60884-1, UL498, CCC, AS/NZS3112

TUF USB charger: IEC/UL62368-1 safety, cTUVus, EU and FCC EMC, ROHS

Wireless charger transmitter - EU

# technical

## Wireless Charger Specifications

Output power:	10W Max
Input power:	15W max (DC5V 2A / 9V 1.67A)
Standby power:	0.45 W
Charging Z-Distance:	0-8 mm (coil to coil)
Certification:	EU
Optional Power Supply:	Integral 9V

## TUF-R 25W USB Charger

Features	
Internal Over Temp Protection	Yes, Self Resetting, Blue & Green LED flash
Internal Over Voltage Protection	Self Resetting
Output Over Current Protection	Self Limiting Type C - Flash Green Type A - Flash Blue
Short Circuit Protection	Self Resetting
USB Sockets	Gold plated for improved contact. Type A and Type C manufactured for minimum 10.000 insertions.
Power indicator	Blue LED Standard Voltage Green LED Higher Voltage (PD/QC)
Charge Standards	(IDR) - Intelligent Device Recognition, PD3.0; QC2/QC3
Standards	Certified to IEC 62368-1 : 2014 (safety) and EN61204 : 2000 (EMC)

Specifications	
USB Charging Outlets	1 x Type A Female (Reversible) 1 x Type C Female (Reversible)
Charging Current	Type C 5V/3A, 9V/2.22A, 15V/1.65A, 20V/1.2A (PD3.0) Type A: 5V/3A, 9V/2A, 12V/1.5A (QC3.0/QC2.0) Combined (A+C) : 5V/4.0A (MAX)
Rated Total Output Power	25W
AC Voltage Range	100-240VAC at 50/60Hz
AC Input Current (Full Load)	Maximum 0.6A
Efficiency	Up to 90%
Environment	0-25°C
Standby Power	0.05W

## TUF-R HP USB Charger

Specifications	
USB Charging Outlets	1 x Type A Female (Reversible) 1 x Type C Female (Reversible)
Charging Current	Type C : Max 60W 20V/3A, 15V/3A, 9V/3A, 5V/3A (PD3.0) 3.3 - 11.0V / 3.2A (PD PPS Mode) QC 2/3.0 5V/3A, 9V/2A, 12V/1.5A Type A : Max 12W 5V / 2.4A IDR BC1.2, Apple 12W Mode Samsung Fast Charge
Output Power	70W Max
Input Voltage	24-30V DC
Environment	0-25°C
Over Current Protection	Yes. Digital control at 3.3A. Auto reset with LED flash.
Short Circuit Protection	Yes. Digital control at 3.3A. Auto reset.
Over Temperature Protection	Auto Power Reduction to PD 45W Mode. 20V/2.25A, 15V/3A, 9V/3A, 5V/3A
Field Replaceable:	Yes, when in 42mm Canister & QF5 solutions.

## QF30 PSU

Specifications	
Input Connectors	1x Male mains GST18i3 Input 20A installation coupler
Output Connectors	1x Female Mains GST18i3 output 20A installation coupler 1x Female 30V DC GST08 output
Input Voltage	100-230 VAC 50-60Hz 100-110 VDC
Rated Input Current	1.7A
AC through current rating	20A
Output Power	70W Max
Output Voltage	30V DC
Output Current Rated	2.34A
Standby Power	0.21W
Efficiency	92% Max
Over Current Protection	Yes
Short Circuit Protection	Yes
Over Temperature Protection	Yes
Status Indication	Yes Blue LED - power on
Certifications	UL/IEC 62368-1 : 2018 (safety) EN61204 : 2018 (EMC) EN 50121-3-2 (railway) FCC part 15 (B)

The QF30PSU must be paired with the TUF-R HP and GST08 lead.